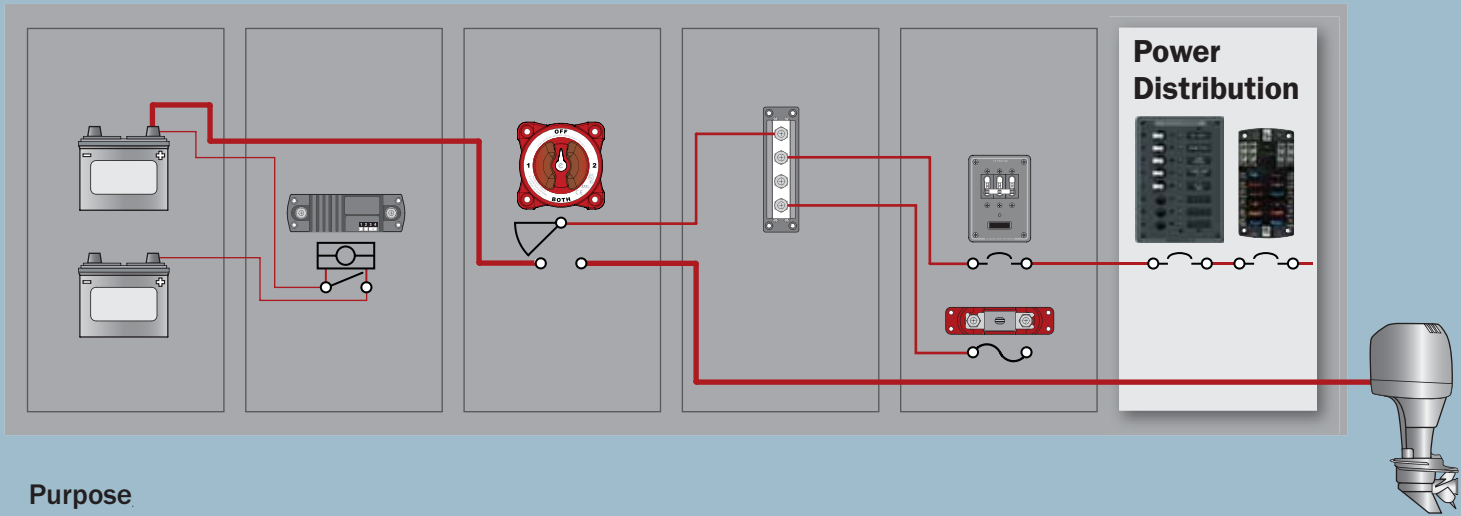


The portion of the DC Distribution System that conducts power from the end of the DC Main Power Distribution System (the end of the wire protected by a DC Main circuit protection device) to the load devices at the end of the circuit. Typically, the DC Branch Power Distribution System carries lower DC current, roughly those currents below 50 Amperes.

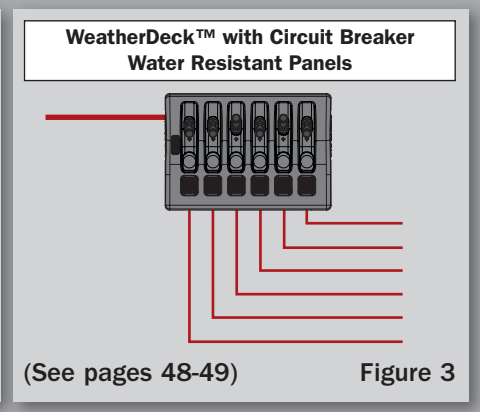
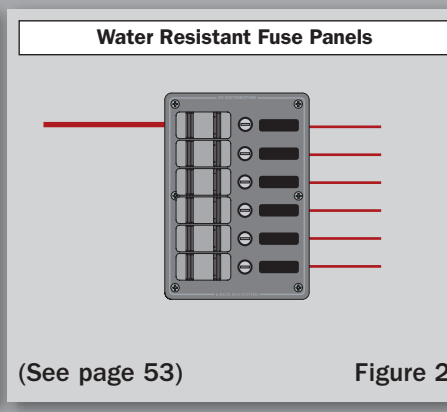
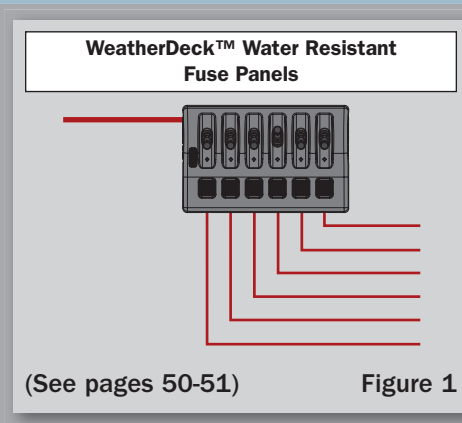


Purpose

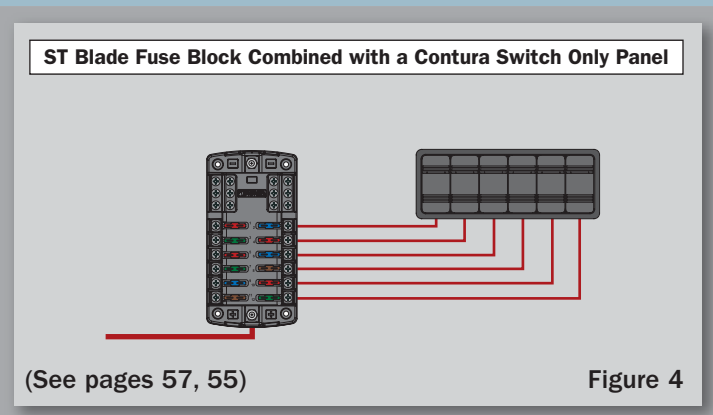
The distribution of high amperages from a single cable into lower amperages with multiple wires, circuit protection, and switching. These three functions may be consolidated into a single device as in the case of a circuit breaker distribution panel or each function may reside as separate devices as shown in the system configuration diagrams below.

Configurations

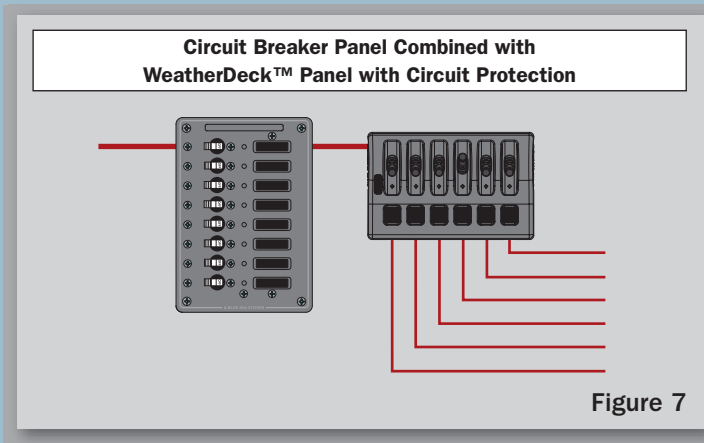
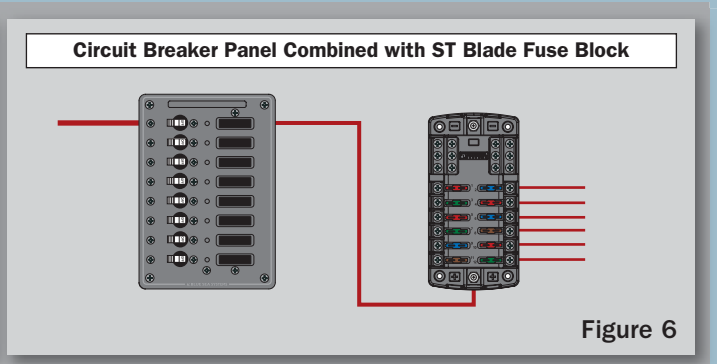
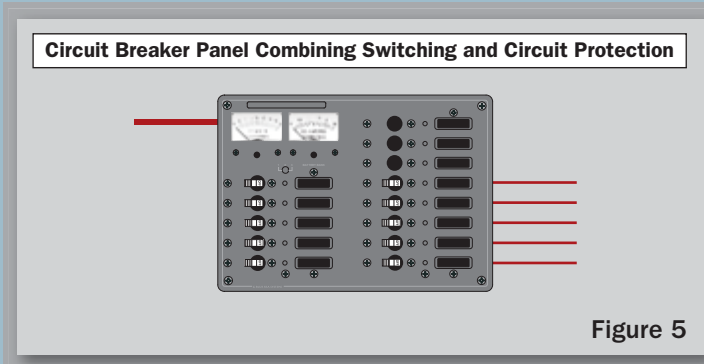
- 1) A switch panel with fuses or circuit breakers for circuit protection is common for small distribution applications.
 - a. Water resistant WeatherDeck™ Switch Panels with integral ATO fuse circuit protection. (Figure 1)
 - b. Water resistant Contura Switch Panels with integral AGC fuse circuit protection. (Figure 2)
 - c. Water resistant WeatherDeck™ Switch Panel with integral Push Button Circuit Breaker circuit protection. (Figure 3)



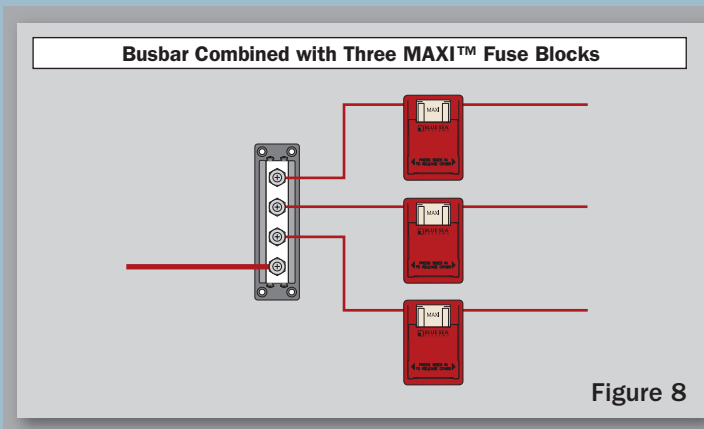
- 2) A panel with switches only combined with separate circuit protection which can be mounted remotely.
 - a. ST Blade Fuse Block combined with a Contura Switch Only Panel. (Figure 4)



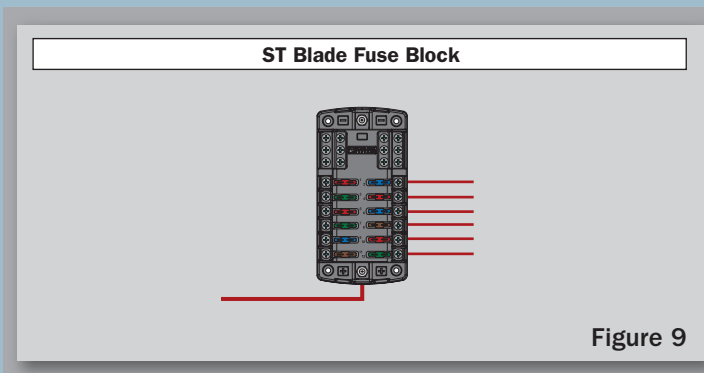
- 3) A circuit breaker distribution panel with or without a sub-panel.
 - a. A distribution panel with circuit breakers combining switching and circuit protection. (Figure 5)
 - b. A distribution panel with circuit breakers combined with a fuse block for load switched electronics. (Figure 6)
 - c. A distribution panel with circuit breakers combined with a remote switch and fuse/circuit breaker panel. (Figure 7)



- 4) A busbar combined with three MAXI™ Fuse Blocks for higher amperage (30-80 Amperes DC) loads (Figure 8)



- 5) ST Blade Fuse Block (Figure 9)



Push Button Reset Only Circuit Breakers

- Lowest cost circuit breaker available
- Incorporated into Blue Sea Systems Water Resistant Circuit Breaker Panels (see page 48-49) and Battery Management Panels (see page 20-21,52)
- Compact design enables high density circuit protection configurations
- Push to reset operation
- "Trip Free" design cannot be held "ON" during fault current condition
- Ignition protected - Safe for installation aboard gasoline powered boats

Specifications

Circuit Breaker Type Thermal reset only - Trip free
 Maximum Voltage 28 Volts DC
 Delay See www.blueseas.com
 Weight 0.24Lb (0.11Kg)

CE marked

Agency Specifications

- All components meet UL 1500 and ISO 8846 external ignition protection requirements



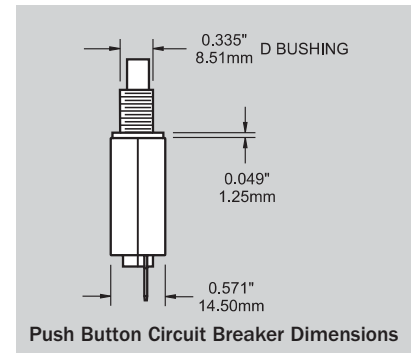
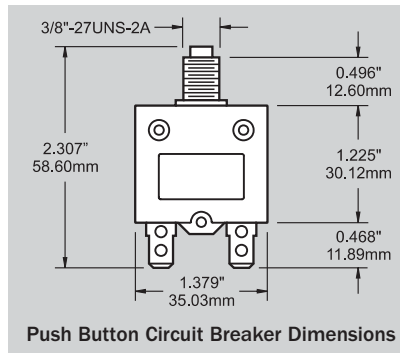
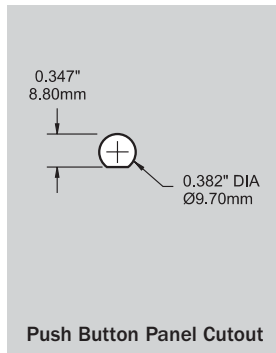
IP 7056

Interrupt Ratings (see ABYC Interrupt rating requirements page 29)

CLB Thermal Circuit Breaker		
UL 1077 - UL/CUL (US/Canada) ¹		
Voltage	Current	Interrupt Ratings
28V DC	3-40A	2,500A

Note: AC ratings have been omitted. They do not meet minimum ABYC requirements.
¹ UL Recognized

PN	Amperage
7050	3A
7051	4A
7052	5A
7053	7A
7054	10A
7055	12A
7056	15A
7057	20A
7058	25A
7059	30A
7060	35A
7061	40A



IP IGNITION PROTECTED

DC BRANCH POWER DISTRIBUTION AND CIRCUIT PROTECTION

Push Button Waterproof Boots

- Replaces standard mounting nut for mounting Push Button Thermal Circuit Breakers
- UV resistant material resists discoloration and cracking
- Protects Push Button Circuit Breaker in wet environments

Specifications

Case Material UV Resistant Silicone Rubber
 Thread Material Nickel-Plated Brass
 Thread 3/8"-27
 Weight 0.03Lb (0.02Kg)

PN	Color
4135	Clear
4136	White
4137	Black



Push Button Circuit Breakers with waterproof boots are used in the Water Resistant Circuit Breaker Panels (see page 48-49, 52)



Single Pole Toggle World Circuit Breakers

- Meets all American Boat and Yacht Council (ABYC) standards
- UL 1077 recognized, TUV certified, CE marked for Europe, and CSA certified for Canada
- The industry standard circuit breaker for Blue Sea Systems electrical panels
- Combines switching and circuit protection into a single device
- Single pole “Quick Trip” models are designed specifically for electronics protection
- “Trip Free” design cannot be held “ON” during fault current condition

Specifications

Circuit Breaker Type	Magnetic Hydraulic - Trip free
Maximum Amperage	50 Amperes
Maximum Voltage	277 Volts AC/65 Volts DC
Rated Switch Cycles	10,000@rated amperage and voltage
Trip Time Delay	See www.blueseasystems.com
Weight	0.17Lb (0.08Kg)
Mounting screw	#6-32
Terminal screw	#10-32 SS with external tooth lock washer
CE marked	



7200

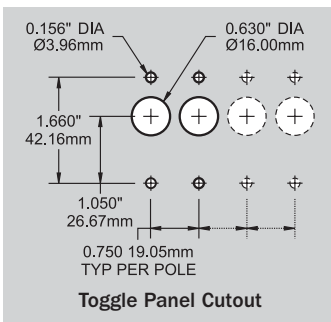
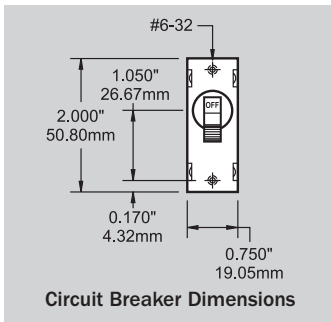


7202

Interrupt Ratings (For ABYC Interrupt rating requirements, see page 29)

World Circuit Breakers - Single Pole			
Voltage	Current	UL 1077 - UL/CSA (US/Canada) ¹	EN60934 - TUV (Europe)
65V DC	1-50A	7,500A	1,500A
120V AC	1-50A	3,000A	1,500A
250V AC	1-50A	3,000A	1,500A

¹ UL Recognized



PN	Color	Amperage	Delay
7291	White	1A	Quick Trip
7292	White	2.5A	Quick Trip
7293	White	5A	Quick Trip
7200	Black	5A	Standard
7201	Red	5A	Standard
7202	White	5A	Standard
7347	Black	8A	Standard
7299	White	8A	Standard
7204	Black	10A	Standard
7205	Red	10A	Standard
7206	White	10A	Standard
7208	Black	15A	Standard
7209	Red	15A	Standard
7210	White	15A	Standard

PN	Color	Amperage	Delay
7212	Black	20A	Standard
7213	Red	20A	Standard
7214	White	20A	Standard
7216	Black	25A	Standard
7217	Red	25A	Standard
7218	White	25A	Standard
7220	Black	30A	Standard
7221	Red	30A	Standard
7222	White	30A	Standard
7224	Black	40A	Standard
7225	Red	40A	Standard
7226	White	40A	Standard
7228	Black	50A	Standard
7229	Red	50A	Standard
7230	White	50A	Standard

NEW PRODUCT

- ▶ For Double Pole AC World Circuit Breakers, see page 63 and 72
- ▶ For circuit breaker mounting panels, see page 87

DC BRANCH POWER DISTRIBUTION AND CIRCUIT PROTECTION

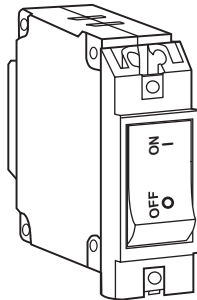
Rocker Style Magnetic Circuit Breakers

Rocker Circuit Breakers offer several advantages over the traditional toggle style circuit breakers long used in the marine industry. The Rocker Circuit Breaker body and mechanical components are identical to toggle magnetic circuit breakers; it is only the actuation mechanism that is different.

Rocker Circuit Breakers have five distinct advantages over traditional toggle circuit breakers:

- 1) They offer a contemporary styling more appropriate for today's boats.
- 2) Rocker Circuit Breakers "color indicate" their ON/OFF status for rapid identification of circuit breaker status.
- 3) All Rocker Circuit Breakers are resistant to accidental switching and the Flat and Slot Reset styles are completely immune to accidental switching.
- 4) Within their standard rectangular mounting aperture both small case 2" circuit breakers up to 50 Amperes and large case 2.5" circuit breakers up to 250 Amperes can be used in the same panel.
- 5) Rocker Circuit Breakers are available in a wide variety of actuator styles, as exemplified by the three actuator styles shown below:

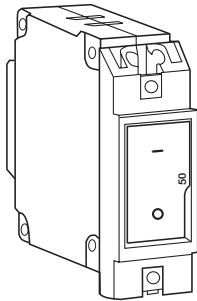
Raised Rocker - Small Case 2" Rocker Circuit Breaker (see pages 43, 64, and 73)



Features

- **Good** resistance to accidental switching
 - Better than traditional toggle circuit breakers
- Red color indicates ON condition
- International ON/OFF symbol

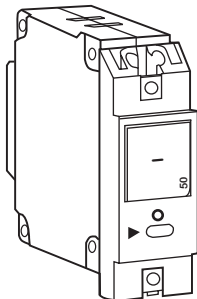
Flat Rocker - Small Case 2" and Large Case 2.5" Rocker Circuit Breakers (see pages 33, 43, and 73)



Features

- **Better** resistance to accidental switching
- White color indicates OFF condition
- Rocker actuator is flush in the ON position, eliminating risk of accidental switching
- International ON/OFF symbols support vertical or horizontal mounting

Slot Reset - Small Case 2" Rocker Circuit Breakers (see pages 43 and 73)



Features

- **Best** resistance to accidental switching
- White color indicates OFF condition
- Can only be turned OFF by inserting small screw driver into slot
- International ON/OFF symbols support vertical or horizontal mounting



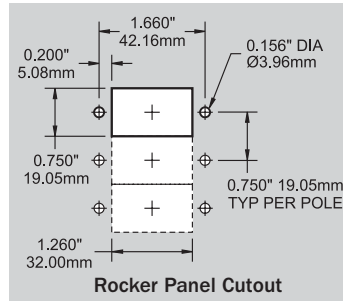
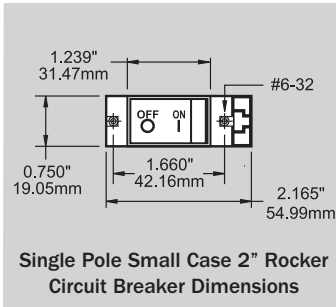
Single Pole Small Case 2" Rocker Circuit Breakers

- Rocker actuator offers modern appearance to electrical distribution panels
- Dual color rocker gives clear visual indication of handle position
- "Trip Free" design cannot be held "ON" during fault current condition

Specifications

Circuit Breaker Type Magnetic Hydraulic - Trip free
 Case Material Polyester
 Maximum Amperage See table below
 Maximum Voltage See table below
 Rated Switch Cycles 10,000@rated amperage and voltage
 Trip Time Delay See www.blueseas.com
 Weight 0.19Lb (0.09Kg)
 Mounting screw #6-32
 Terminal screw #10-32 SS with external tooth lock washer

CE marked



PN	Amperage
7300	5A
7301	8A
7302	10A
7303	15A
7304	20A
7305	25A
7306	30A
7307	40A
7308	50A

Interrupt Ratings (see ABYC Interrupt rating requirements page 29, 61)

Small Case Rocker Circuit Breakers - Single Pole			
		UL 1077 - UL/CSA (US/Canada) ¹	EN60934 - VDE (Europe)
Voltage	Current	Interrupt Ratings	Interrupt Ratings
65V DC	5-50A	-	2,000A
80V DC	5-30A	-	4,000A
80V DC	5-50A	7,500A	-
125V AC	5-50A	3,000A	-
240V AC	5-50A	2,000A	-
250V AC	5-30A	2,000A	2,000A
250V AC	5-50A	-	2,000A

¹ UL Recognized

► For Double Pole AC Rocker Circuit Breakers, see pages 64 and 73



7408



7433

AIRPAX

Available January, 2006

Single Pole Small Case 2" Rocker Circuit Breakers

NEW PRODUCT

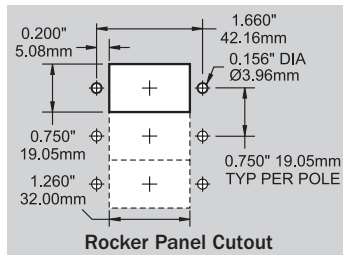
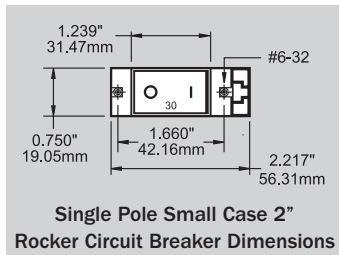
- Color actuator indicates "OFF" position
- "Trip Free" design cannot be held "ON" during fault current condition
- 2 different styles available to protect accidental switching of 24 hour circuits

Specifications

Circuit Breaker Type Magnetic Hydraulic - Trip free
 Maximum Amperage See table below
 Maximum Voltage See table below
 Rated Switch Cycles 10,000@rated amperage and voltage
 Delay See www.blueseas.com
 Mounting screw #6-32 SS - Recommended torque 6-8 in-lb
 Terminal screw 45° Angled #10-32 x 5/16 SS SEM external tooth lock washer - Recommended torque 14-15 in-lb

CE marked

► See page 42 for more details



Interrupt Ratings (see ABYC Interrupt rating Requirements page 29)

Small Case IEGBX Rocker Circuit Breakers - Single Pole			
		UL 1077 - UL/CSA (US/Canada) ¹	EN60934 - VDE (Europe)
Voltage	Current	Interrupt Ratings	Interrupt Ratings
65V DC	5-50A	-	2,000A
80V DC	5-30A	-	4,000A
80V DC	5-50A	7,500A	-
125V AC	5-50A	3,000A	-
240V AC	5-50A	2,000A	-
250V AC	5-30A	2,000A	2,000A
250V AC	5-50A	-	2,000A

¹ UL Recognized

PN	Actuator	Poles	Amperage	PN	Actuator	Poles	Amperage
7400	Flat	1	5A	7425	Slot Reset	1	5A
7401	Flat	1	8A	7426	Slot Reset	1	8A
7402	Flat	1	10A	7427	Slot Reset	1	10A
7403	Flat	1	15A	7428	Slot Reset	1	15A
7404	Flat	1	20A	7429	Slot Reset	1	20A
7405	Flat	1	25A	7430	Slot Reset	1	25A
7406	Flat	1	30A	7431	Slot Reset	1	30A
7407	Flat	1	40A	7432	Slot Reset	1	40A
7408	Flat	1	50A	7433	Slot Reset	1	50A

NEW PRODUCT

DC Rocker and Toggle Panels

Powerboat Reports choice for Electrical Distribution Panels*

Common Features

- MIL-C-5541C or equivalent immersion undercoating for lifetime corrosion resistance
 - DC panels with meters include toggle switch for monitoring up to 3 battery banks
 - DC panels are available in 12 or 24 Volt DC configuration except panels with analog meters*
 - All circuit label positions are backlit on standard panels - No kit required
 - "ON" indicating LEDs installed in all circuit positions
 - Countersunk mounting holes throughout
 - Two-part polyurethane slate gray finish
 - Heavy 1/8" aluminum 5052 alloy
 - Industry standard height and width
- * Panels with analog meters are upgradeable to 24 Volts DC

Tin-Plated Copper bussing for high conductivity



DC BRANCH POWER DISTRIBUTION AND CIRCUIT PROTECTION

DC Toggle style Circuit Breaker Panels are now available with black World Magnetic Circuit Breakers (see pages 46-47)



A wide range of DC digital and analog meters are available (see pages 95-101)

Industry standard, toggle style, World Magnetic Circuit Breakers available in white or black (see pages 41, 63, 72)

Rocker style Magnetic Circuit Breakers offer modern styling and improved resistance to accidental switching (see pages 43, 64, 73)



* "Blue Sea Systems' excellent warranty, intuitive labeling, and bright night lighting, is our choice for an accessory DC panel." - Powerboat Reports, June 2005

DC Rocker Circuit Breaker Panels

Common Features

- All positive, negative and grounding buses installed, fully pre-wired
- Includes set of 30 common backlightable DC labels (see page 90)
- Label backlighting pre-installed
- All LEDs installed
- Configure for 12 or 24 Volt DC distribution with supplied labels
- Panel Main Bus 100 Amperes
- Detailed installation instructions and cutout template included
- Over 500 individual labels to choose from (see pages 91-94)

13 Position



8679

10 Position



8680

5 Position



8678

8 Position



8676

6 Position



8677

3 Position



8675

PN	Description	Meter Type/PN	Meter Page	Width in" (mm)	Height in" (mm)	Weight Lb (Kg)	Installed Single Pole Circuit Breakers
							15A
8675	3 Position	-	-	5.25 (133.35)	3.75 (95.25)	1.12 (0.61)	3
8678	5 Position	Digital/8248	98	5.25 (133.35)	7.50 (190.50)	3.45 (1.56)	5
8677	6 Position	-	-	10.50 (266.70)	3.75 (95.25)	2.20 (1.00)	6
8676	8 Position	-	-	5.25 (133.35)	7.50 (190.50)	1.84 (0.83)	5
8680	10 Position	Digital/8248	98	5.25 (133.35)	11.25 (285.75)	4.21 (1.92)	7
8679	13 Position	Digital/8248	98	10.50 (266.70)	7.50 (190.50)	5.15 (2.34)	10



Squalicum Harbor, Bellingham Bay, and San Juan Islands

DC Toggle Circuit Breaker Panels

Common Features

- All positive, negative and grounding buses installed, fully pre-wired
- Includes set of 30 common backlightable DC labels (see page 90)
- Label backlighting pre-installed
- All LEDs installed
- Detailed installation instructions and cutout template included
- Over 500 individual labels to choose from (see pages 91-94)
- Maximum panel amperage - 100 Amperes

Main + 35 Positions



8382 3382

24 Position



8264 3264

12 Position



8375 3375

Main + 32 Positions



8381 3381

13 Position



8403 3403

Main + 20 Positions



8379 3379

13 Position



8068 3068

18 Position



8378 3378

16 Position



8377 3377

DC BRANCH POWER DISTRIBUTION AND CIRCUIT PROTECTION

Main + 22 Positions



8380 3380

10 Position



8402 3402

10 Position



8082 3082

13 Position



8376 3376

8 Position



8385 3385

5 Position



8401 3401

5 Position



8081 3081

8 Position



8023 3023

3 Position



8025 3025

6 Position



8096 3096

DC Main Circuit Breaker Panels

PN	PN	Description	Meter Type/PN	Meter Page	Voltage	Width in" (mm)	Height in" (mm)	Weight Lb (Kg)	Installed C-Series Main Circuit Breaker	Installed Single Pole Circuit Breaker
									100A	15A
8379	3379	Main + 20 Positions	Digital/8248	98	12/24V DC	14.75 (374.65)	7.50 (190.50)	7.20 (3.27)	1	14
8380	3380	Main + 22 Positions	Analog/8028, 8250	101	12V DC	10.50 (266.70)	11.25 (285.75)	6.10 (2.76)	1	16
8381	3381	Main + 32 Positions	Analog/8003, 8017	101	12V DC	14.75 (374.65)	11.25 (285.75)	8.60 (3.89)	1	23
8382	3382	Main + 35 Positions	Digital/8248	98	12/24V DC	14.75 (374.65)	11.25 (285.75)	10.80 (4.92)	1	26

DC Branch Circuit Breaker Panels

PN	PN	Description	Meter Type/PN	Meter Page	Voltage	Width in" (mm)	Height in" (mm)	Weight Lb (Kg)	Installed C-Series Main Circuit Breaker	Installed Single Pole Circuit Breaker
									100A	15A
8025	3025	3 Position	-	-	12/24V DC	5.25 (133.35)	3.75 (95.25)	1.12 (0.61)	-	3
8401	3401	5 Position	Digital/8248	98	12/24V DC	5.25 (133.35)	7.50 (190.50)	3.45 (1.56)	-	5
8081	3081	5 Position	Analog/8028, 8041	101	12V DC	5.25 (133.35)	7.50 (190.50)	4.06 (1.84)	-	5
8096	3096	6 Position	-	-	12/24V DC	10.50 (266.70)	3.75 (95.25)	2.20 (1.00)	-	6
8023	3023	8 Position	-	-	12/24V DC	5.25 (133.35)	7.50 (190.50)	1.84 (0.83)	-	5
8385	3385	8 Position	-	-	12/24V DC	10.50 (266.70)	4.50 (114.30)	1.95 (0.88)	-	6
8402	3402	10 Position	Digital/8248	98	12/24V DC	5.25 (133.35)	11.25 (285.75)	4.21 (1.91)	-	7
8082	3082	10 Position	Analog/8028, 8041	101	12V DC	5.25 (133.35)	11.25 (285.75)	4.06 (1.84)	-	7
8375	3375	12 Position	-	-	12/24V DC	14.75 (374.65)	4.50 (114.30)	3.10 (1.41)	-	10
8376	3376	13 Position	-	-	12/24V DC	5.25 (133.35)	11.25 (285.75)	2.76 (1.25)	-	10
8403	3403	13 Position	Digital/8248	98	12/24V DC	10.50 (266.70)	7.50 (190.50)	5.15 (2.34)	-	10
8068	3068	13 Position	Analog/8028, 8041	101	12V DC	10.50 (266.70)	7.50 (190.50)	4.06 (1.84)	-	10
8377	3377	16 Position	-	-	12/24V DC	10.50 (266.70)	7.50 (190.50)	3.68 (1.67)	-	10
8378	3378	18 Position	Analog/8003, 8017	101	12V DC	14.75 (374.65)	7.50 (190.50)	5.70 (2.59)	-	15
8264	3264	24 Position	-	-	12/24V DC	14.75 (374.65)	7.50 (190.50)	5.12 (2.32)	-	15

Available January, 2006

WeatherDeck™ Water Resistant Circuit Breaker Panels NEW PRODUCT

Water resistant panel front withstands rain, sea spray, and hose spray washdown

- Designed for flybridge and open cockpit applications
- Constructed from corrosion resistant materials
- Independent label backlighting circuit for remote switching and dimming
- Compatible with all Blue Sea Systems Digital Dimmers (see page 104)
- UV stabilized and weather resistant faceplate
- Rated IP67 - "Temporary Immersion"
- Rugged UV stabilized waterproof boots protect switches and circuit breakers
- Each panel can be mounted in four different orientations (see page 49)
- Available in 4 and 6 circuit models
- Includes 4215 - 30 label set (see page 89)

Specifications

Panel Material	Reinforced Polycarbonate
Cover Material	Weather Resistant Thermoplastic
Maximum Voltage	12 Volts DC
Maximum Amperage Per Circuit	15 Amperes
Switch Type	OFF/ON Toggle with waterproof boot (see page 54)
Switch Rating	15 Amperes Maximum
Backlighting Voltage	12 Volts DC Nominal
Backlighting Amperage Draw	10mA/Illuminated Circuit
Circuit Breaker Type	Push Button Reset Only with waterproof boot (see page 40)
Circuit Breaker Rating	15 Amperes

Carling Toggle Switch available in single pole, double throw and momentary styles

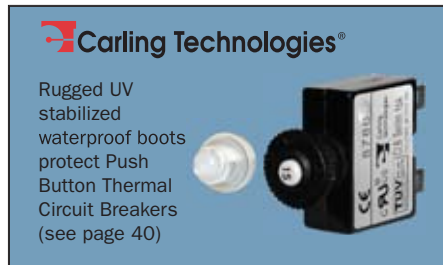
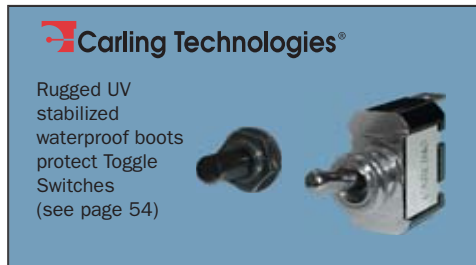
Indicates tripped circuit breaker

Integrated switch guards prevent accidental switching



360° circuit labels conveniently read in any mounted orientation

Bi-colored LEDs illuminate circuit labels to quickly identify "OFF" (Red), "ON" (Green)"



UV stabilized weather resistant faceplate snaps easily on and off, providing access to components, and concealing mounting screws



Waterproof boots protect Carling PushButton Circuit Breakers

Labels can be rotated 360°

30 Common DC backlightable labels included for circuit identification (see page 89)

4 Position - Gray



4374

4 Position - White



4384

6 Position - Gray



4376

6 Position - White

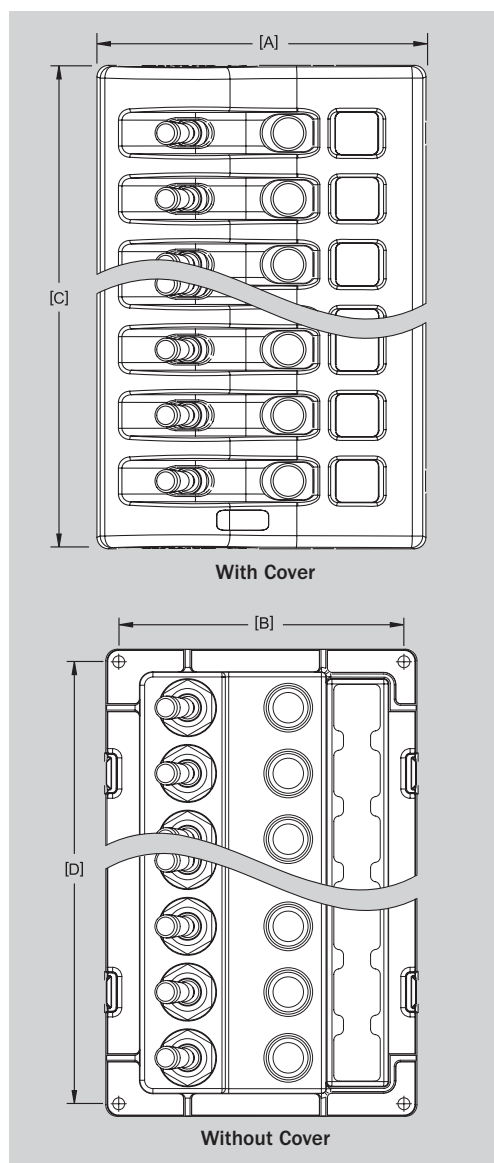


4386

PN	Description	Weight Lb (Kg)
4374	4 Position - Gray	0.97 (0.44)
4376	6 Position - Gray	1.36 (0.62)
4384	4 Position - White	0.97 (0.44)
4386	6 Position - White	1.36 (0.62)

NEW PRODUCT

► For high volume applications contact Blue Sea Systems about custom configurations. Call 1-800-222-7617 for information.



Description	[A] Width in" (mm)	[B] Mounting Centers in" (mm)	[C] Height in" (mm)	[D] Mounting Centers in" (mm)
4 Position	4.25 (107.95)	3.69 (93.73)	4.30 (109.22)	3.74 (95.00)
6 Position	4.25 (107.95)	3.69 (93.73)	6.00 (152.40)	5.44 (138.18)

Four Mounting Orientations

Each panel can be mounted in 4 orientations to expand location possibilities - Circuit labels can be rotated accordingly.

WeatherDeck™ Water Resistant Fuse Panels

Water resistant panel front withstands rain, sea spray, and hose spray washdown

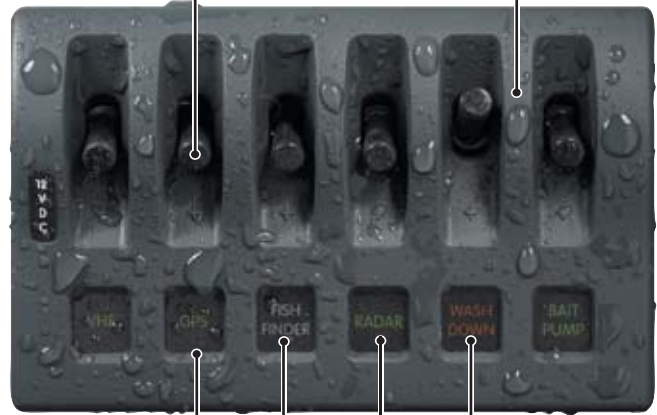
- Designed for flybridge and open cockpit applications
- Constructed from corrosion resistant materials
- Independent label backlighting circuit for remote switching and dimming
- Compatible with all Blue Sea Systems Digital Dimmers (see page 104)
- UV stabilized and weather resistant faceplate
- Rated IP67 - "Temporary Immersion"
- Rugged UV stabilized waterproof boots
- Each panel can be mounted in four different orientations (see page 51)
- Available in 2, 4, 6, and 8 circuit models
- Includes 4215 - 30 label set (see page 89)
- Integrated ATO/ATC fuse based circuit protection

Specifications

Panel Material	Reinforced Polycarbonate
Cover Material	Weather Resistant Thermoplastic
Maximum Voltage	12 Volts DC
Maximum Amperage Per Circuit	15 Amperes
Switch Type	OFF/ON Toggle with waterproof boot (see page 54)
Switch Rating	15 Amperes maximum
Backlighting Voltage	12 Volts DC Nominal
Backlighting Amperage Draw	10mA/Illuminated Circuit
Fuse Type	ATO/ATC Automotive Blade-Type
Fuse Available	1-40 Amperes

Carling Toggle Switch available in single pole-double throw, double pole-double throw, and momentary styles

Integrated switch guards prevent accidental switching



360° circuit labels conveniently read in any mounted orientation

Bi-colored LEDs illuminate circuit labels to quickly identify "OFF" (Red), "ON" (Green), or "BLOWN" (No color) circuits



Rugged UV stabilized waterproof boots protect Carling Toggle Switches (see page 54)



ATO/ATC Blade Fuse on each circuit simplifies identification of Amperage (see page 59)



UV stabilized weather resistant faceplate snaps easily on and off, providing access to components, and concealing mounting screws



Fuses are easily accessed from the front of the panel

Labels can be rotated 360°

30 Common DC backlightable labels included for circuit identification (see page 89)

Fuses fully sealed with silicone rubber cover for water resistance

2 Position - Gray



4302

4 Position - Gray



4304

6 Position - Gray



4306

8 Position - Gray



4308

8 Position - White



4318

6 Position - White



4316

4 Position - White



4314

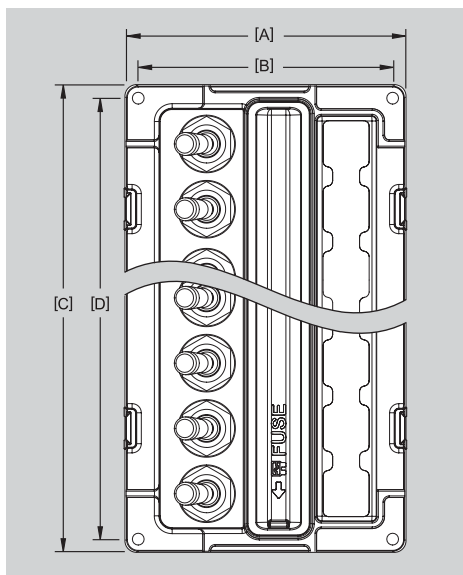
2 Position - White



4312

PN	Description	Weight Lb (Kg)
4302	2 Position - Gray	0.67 (0.30)
4304	4 Position - Gray	0.90 (0.41)
4306	6 Position - Gray	1.13 (0.51)
4308	8 Position - Gray	1.37 (0.62)
4312	2 Position - White	0.67 (0.30)
4314	4 Position - White	0.90 (0.41)
4316	6 Position - White	1.13 (0.51)
4318	8 Position - White	1.37 (0.62)

► For high volume applications Contact Blue Sea Systems about custom configurations. Call 1-800-222-7617 for information.



Description	[A] Width in" (mm)	[B] Mounting Centers in" (mm)	[C] Height in" (mm)	[D] Mounting Centers in" (mm)
2 Position	3.88 (98.40)	3.31 (84.14)	2.60 (66.00)	2.04 (51.75)
4 Position	3.88 (98.40)	3.31 (84.14)	4.30 (109.20)	3.74 (94.93)
6 Position	3.88 (98.40)	3.31 (84.14)	6.00 (152.40)	5.44 (138.11)
8 Position	3.88 (98.40)	3.31 (84.14)	7.70 (195.60)	7.14 (181.29)

Four Mounting Orientations



Each panel can be mounted in 4 orientations to expand location possibilities - Circuit labels can be rotated accordingly.

Water Resistant Circuit Breaker Panels

Water resistant panel front withstands rain, sea spray, and hose spray washdown

Common Features

- Designed for flybridge and open cockpit applications
- Water resistant ON-OFF Contura Switches
- Watertight mounting gasket
- Push Button Circuit Breaker with waterproof boot (see page 40)
- Rated IP66 - "Use on Shipdecks"
- Ignition protected - Safe for installation aboard gasoline powered boats
- Meets UL1500 and ISO 8846 ignition protection requirements
- Countersunk mounting holes throughout
- Heavy 1/8" aluminum material
- Two-part polyurethane white or black finish
- "ON" indicating LEDs embedded in switch
- MIL-C-5541C or equivalent immersion undercoating for lifetime corrosion resistance
- Completely wired and ready to install
- Includes set of 60 common DC labels (see page 90)

NOTE: Water resistant panel labels are not backlightable

Specifications

Voltage	12 or 24 Volts DC
Switch Rating	20 Amperes@12 Volts DC 15 Amperes@24 Volts DC
Switch LED Amperage Draw	18 Milliampères each
Circuit Breaker Rating	15 Amperes
Panel Cumulative Rating	45 Amperes
CE marked	

8 Position - Horizontal



8271

8 Position - Horizontal



8371

6 Position - Vertical



8273

6 Position - Vertical



8373

3 Position - Vertical



8274

4 Position - Horizontal



8272

3 Position - Vertical



8374

4 Position - Horizontal



8372

PN	Description	Color	Width in" (mm)	Height in" (mm)	Weight Lb (Kg)
8274	3 Position - Vertical	White	4.50 (114.30)	3.75 (95.25)	0.60 (0.27)
8272	4 Position - Horizontal	White	5.25 (133.35)	4.25 (107.95)	0.77 (0.35)
8273	6 Position - Vertical	White	4.50 (114.30)	7.50 (190.50)	0.90 (0.41)
8271	8 Position - Horizontal	White	9.37 (238.00)	4.25 (107.95)	1.34 (0.61)
8374	3 Position - Vertical	Black	4.50 (114.30)	3.75 (95.25)	0.60 (0.27)
8372	4 Position - Horizontal	Black	5.25 (133.35)	4.25 (107.95)	0.77 (0.35)
8373	6 Position - Vertical	Black	4.50 (114.30)	7.50 (190.50)	0.90 (0.41)
8371	8 Position - Horizontal	Black	9.37 (238.00)	4.25 (107.95)	1.34 (0.61)



Water resistant panel front withstands rain, sea spray, and hose spray washdown

6 Position - Vertical



8053

Easy to open, water resistant fuse holder (see page 54)



3 Position - Vertical



8054

8 Position - Horizontal



8261

4 Position - Horizontal



8262

Water Resistant Fuse Panels

Common Features

- Designed for flybridge and open cockpit applications
- Water resistant ON-OFF Contura Switches
- Watertight mounting gasket included
- Water resistant fuse holders accept commonly available AGC (Fast Acting) and MDL (Slow Blow) glass fuses (see page 59)
- Countersunk mounting holes throughout
- Heavy 1/8" aluminum material
- Two-part polyurethane slate gray finish
- "ON" indicating LEDs embedded in switches
- Over 500 labels available (see pages 91-94)
- Industry standard height and width
- Mil-Spec chemical treatment via immersion to protect every surface detail from corrosion
- Completely wired and ready to install

NOTE: Water resistant panel labels are not backlightable

Vertical Fuse Panel Features

- Industry standard height and width
- Includes set of 30 standard format common DC labels*

Horizontal Fuse Panel Features

- Designed for height restricted installations
- Compact labels minimize panel space requirements
- Includes set of 60 small format common DC labels*

* See page 81

Specifications

Voltage	12 or 24 Volts DC
Switch Rating	20 Ampere@12 Volts DC 15 Ampere@24 Volts DC
Switch LED Amperage Draw	18 Milliampères each
Fuse Holder Rating	20 Amperes maximum
Panel Cumulative Rating	45 Amperes

PN	Description	Width in" (mm)	Height in" (mm)	Weight Lb (Kg)
8054	3 Position - Vertical	5.25 (133.35)	3.75 (95.25)	0.60 (0.27)
8053	6 Position - Vertical	5.25 (133.35)	7.50 (190.50)	0.90 (0.41)
8262	4 Position - Horizontal	5.25 (133.35)	3.75 (95.25)	0.77 (0.35)
8261	8 Position - Horizontal	9.37 (238.00)	3.75 (95.25)	1.34 (0.61)

Water resistant panel front withstands rain, sea spray, and hose spray washdown

Easy to open, water resistant fuse holder (see page 54)



8263

Water Resistant Bilge Pump Control Panel

- Designed for flybridge and open cockpit applications
- Water resistant (ON)-OFF-AUTO Contura Switch
- Watertight mounting gasket
- Water resistant fuse holders accept commonly available AGC (Fast Acting) and MDL (Slow Blow) glass fuses (see page 59)
- Countersunk mounting holes throughout
- Heavy 1/8" aluminum material
- Two-part polyurethane slate gray finish
- "ON" indicating LEDs embedded in switch
- Industry standard height and width
- Mil-Spec chemical treatment via immersion to protect every surface detail from corrosion
- Completely wired and ready to install

NOTE: Water resistant panel labels are not backlightable

Specifications

Specifications match Water Resistant Fuse Panels (See above)

PN	Width in" (mm)	Height in" (mm)	Weight Lb (Kg)
8263	2.25 (57.15)	3.75 (95.25)	0.43 (0.20)

WeatherDeck™ Single Pole Toggle Switches

- Specially manufactured by Carling Technologies® for use in Blue Sea Systems WeatherDeck™ Water Resistant Panels (see pages 48-51)
- Nickel-plated brass and phenolic non-corrosive construction

Specifications

Rating: 250 Volts AC	10 Amperes
Rating: 125 Volts AC	15 Amperes
Rating: 12 Volts DC	15 Amperes
Terminal Size	0.25" (6.35mm)
Terminal Type	Quick Connect Tab

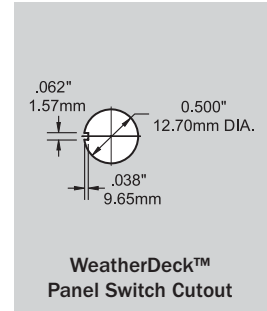
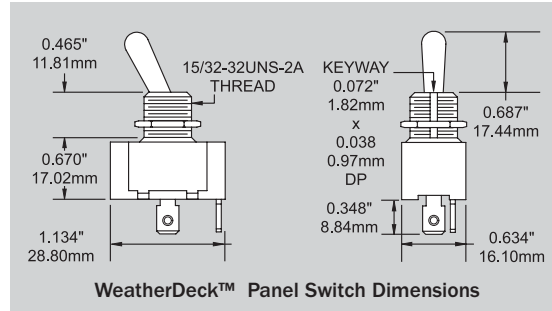
PN	Pole/Throw	Action
4150	SPST	OFF - ON
4151	SPST	OFF - (ON)
4152	SPDT	ON - OFF - ON
4153	SPDT	(ON) - OFF - ON
4154	SPDT	(ON) - OFF - (ON)

() = Momentary

► See pages 48-51 for Blue Sea Systems DC Water Resistant WeatherDeck™ Panels.



4150



WeatherDeck™ Double Pole Toggle Switch NEW PRODUCT

- For use in Blue Sea Systems WeatherDeck™ Water Resistant Panels (see pages 48-51)
- Nickel-plated brass and phenolic non-corrosive construction

Specifications

Rating: 30 Volts DC	5 Amperes
Terminal Size	0.25" (6.35mm)
Terminal Type	Quick Connect Tab

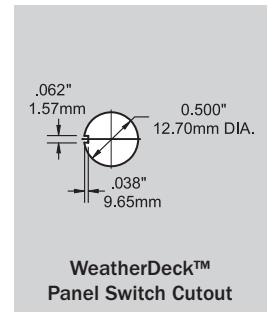
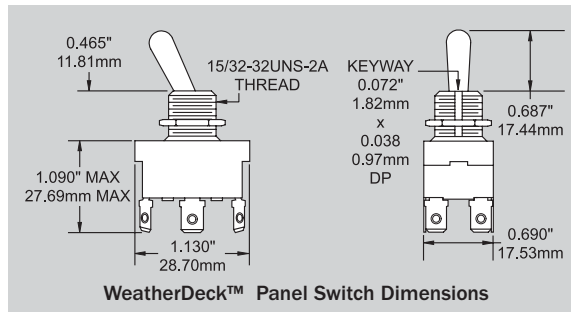
PN	Pole/Throw	Action
4155	DPDT	ON-OFF-ON

NEW PRODUCT

► See pages 48-51 for Blue Sea Systems DC Water Resistant WeatherDeck™ Panels.



4155



WeatherDeck™ Toggle Switch Waterproof Boots

- Replaces dress nut for mounting on WeatherDeck™ Panel Switches
- UV resistant material resists discoloration and cracking

Specifications

Case Material	UV Resistant Silicone Rubber
Thread Material	Nickel Plated Brass
Thread	15/32"-32UNS-2A

PN	Description	Weight Lb (Kg)
4138	Black Toggle Switch waterproof boot	0.03 (0.01)



4138

Water Resistant Fuse Holder

- Improved, easy to open, water resistant fuse holder
- Withstands water exposure normally encountered in above deck applications: rain, sea spray or hose spray washdown

PN	Description	Weight Lb (Kg)
5021	Water Resistant Fuse Holder	0.02 (0.01)



5021



Carling Technologies®

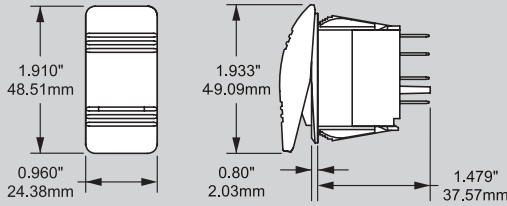


Pole/Throw

SPST - Single Pole Single Throw
 SPDT - Single Pole Double Throw
 DPST - Double Pole Single Throw
 DPDT - Double Pole Double Throw

Legend

Center terminal switch lever ●
 Terminal ●
 Off Position ○



Water Resistant Contura Switch Dimensions

► See pages 52-53 for Blue Sea Systems DC Water Resistant Panels.

IP IGNITION PROTECTED

Water Resistant Contura Switches **IP**

- Vibration, shock, thermoshock, moisture and salt spray resistant
- Specially manufactured for use in Blue Sea Systems Water Resistant Panels
- Ignition Protected - Safe for installation aboard gasoline powered boats
- Meets UL 1500 and ISO 8846 ignition protection requirements

Specifications

Rating: 12 Volts DC 20 Amperes
 Rating: 24 Volts DC 15 Amperes
 Lighted LED rated 100,000 hours 1/2 life
 Seals Internal and external gasket panel seal
 Temperature Rating -40°C to 85°C
 Mounting Hole 1.45" x 0.83" (36.83mm x 21.08mm)
 LED Amperage 18 Milliampere

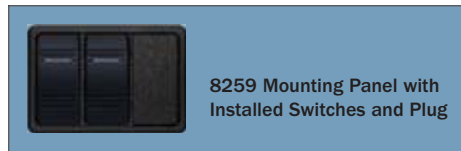
PN Gray	PN Black	Pole/Throw	Action	Embedded LEDs
8230	8282	SPST	OFF - ON	1
8231	8292	SPST	OFF - (ON)	0
8232	8283	SPDT	ON - OFF - ON	2
8233	8284	SPDT	(ON) - OFF - ON	1
8234	8285	SPDT	(ON) - OFF - (ON)	0
8218	8287	DPST	OFF - ON	1
8219	8288	DPST	OFF - (ON)	0
8220	8286	DPDT	ON - OFF - ON	2
8221	8289	DPDT	(ON) - OFF - ON	1
8222	8290	DPDT	(ON) - OFF - (ON)	0
8275	-	DPDT	ON - ON	2

() = Momentary

Contura Switch Mounting Panels

- Modular design permits easy assembly in groups of varying sizes
- Mounting panels available in 1, 3 and 6 fixed position models
- Designed for mounting in 6 different panel thicknesses (see below):
 0.06" (1.57mm) 0.09" (2.36mm) 0.13" (3.17mm)
 0.19" (4.75mm) 0.25" (6.35mm) 0.38" (9.52mm)

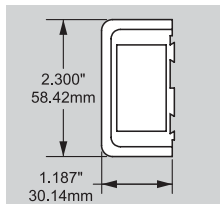
PN	Description	Width in" (mm)	Height in" (mm)
8267	End Mounting Panel	1.19 (30.14)	2.30 (58.42)
8266	Center Mounting Panel	1.03 (26.26)	2.30 (58.42)
8268	1 Position Mounting Panel	1.34 (34.03)	2.30 (58.42)
8259	3 Position Mounting Panel	3.40 (86.36)	2.30 (58.42)
8260	6 Position Mounting Panel	6.49 (164.85)	2.30 (58.42)



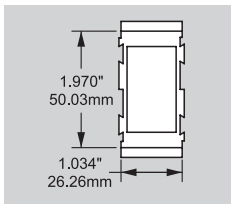
8259 Mounting Panel with Installed Switches and Plug



8267



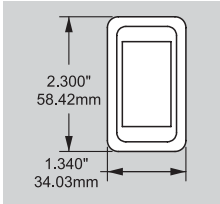
8267 Dimensions



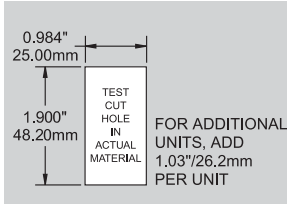
8266 Dimensions



8266



8268 Dimensions



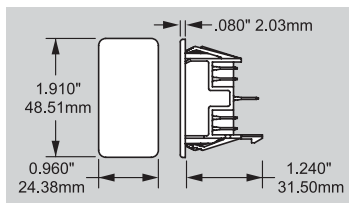
Panel Cutout



8268



8278



8278 Dimensions

Contura Switch Mounting Panel Plug

- For use with Contura Switch Mounting Panels (see above)

PN	Description
8278	Mounting Panel Plug



8297

8294

PN Gray	PN Black	Number of Lenses
8299	8296	None
8297	8294	Single
8298	8295	Double
8293	Actuator Removal Tool	

Contura Switch Actuators

- Mounts on any Blue Sea Systems Contura switch
- Constructed of thermal plastic polycarbonate with a hard nylon - surface overlay
- For each embedded LED, there is a corresponding number of lenses

ST* Glass Fuse Blocks

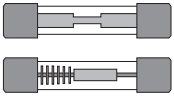
***Screw Terminal**

- Clear insulating cover with label recesses accept large format Blue Sea Systems labels (see pages 90-94)
- Cover insulates all conductive parts, satisfying ABYC/USCG requirements and stores spare fuses
- Tin-plated copper buses and Phosphor Bronze fuse clips give 30 Amperes rating per circuit
- Accepts AGC (Fast Acting), MDL (Time-Delay) and all other 3AG Glass Fuses (see page 59)

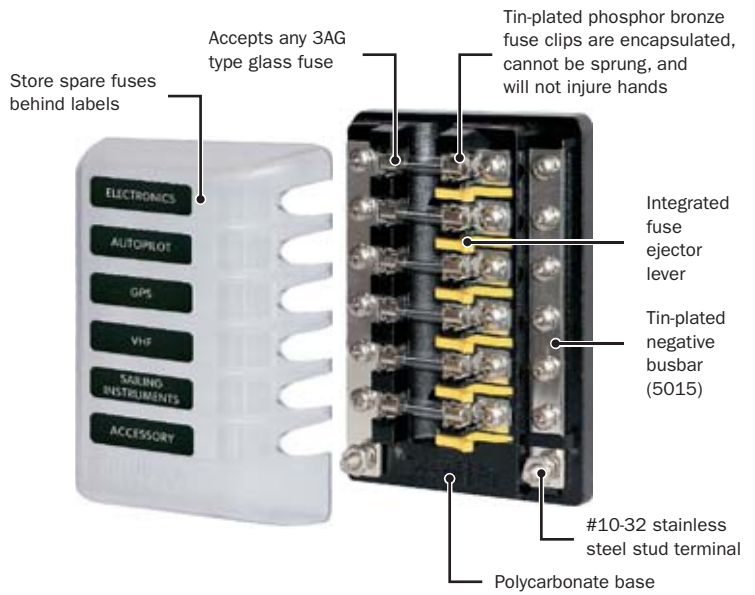
Specifications

Base Material	Reinforced Polycarbonate
Cover Material	Polycarbonate
AGC/MDL Fuses available	1/8 to 30 Amperes
Screw Terminal	#8-32 with Captive Star Lockwasher
Maximum Amperage per circuit	30 Amperes
Maximum Amperage block	100 Amperes
Maximum Voltage	32 Volts DC

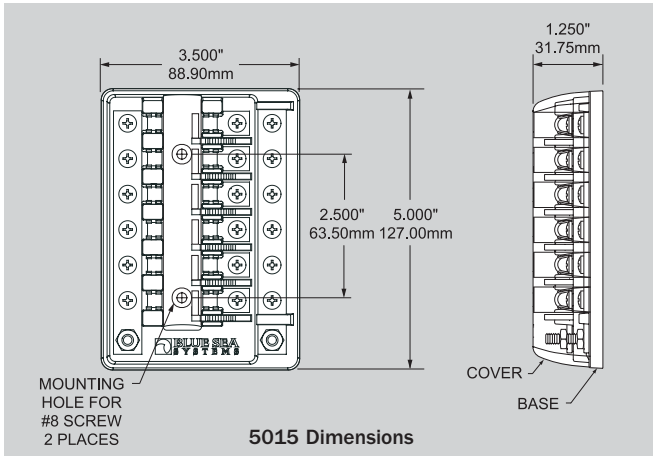
PN	Description	Weight Lb (Kg)
5015	6 circuit with negative bus	0.52 (0.24)
5018	6 circuit	0.42 (0.19)



▶ See page 59 for AGC and MDL Fuses.



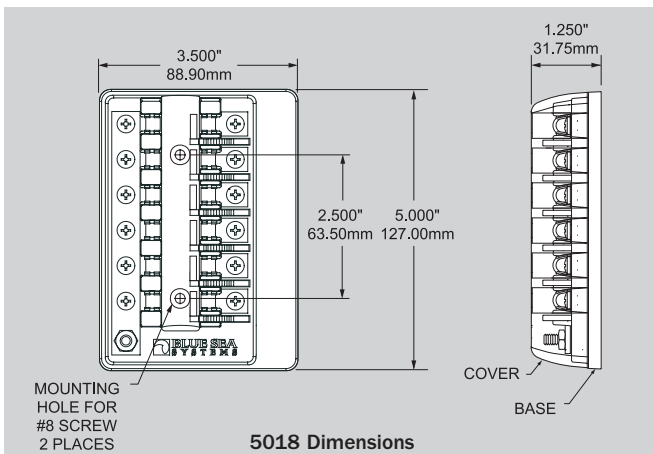
DC BRANCH POWER DISTRIBUTION AND CIRCUIT PROTECTION



6 Circuit with Negative Bus



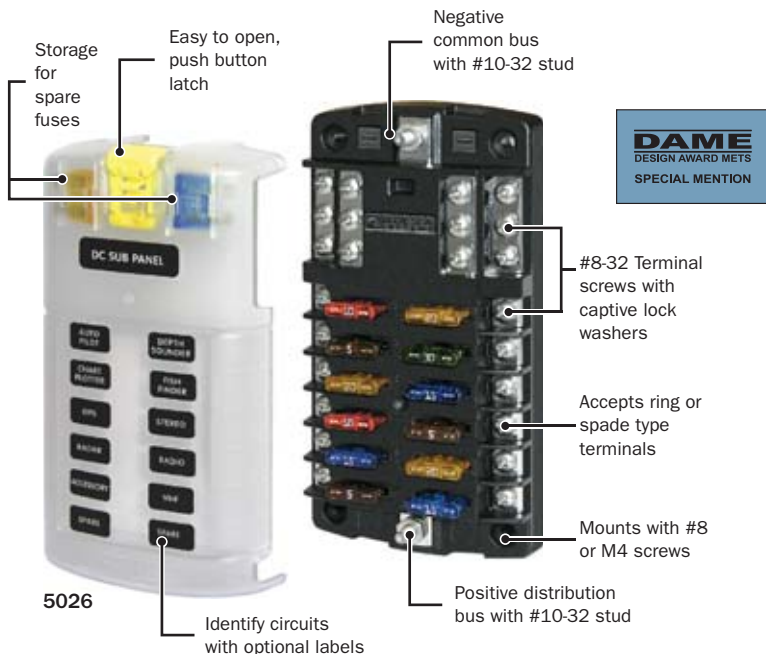
5015



6 Circuit



5018



ST* Blade Fuse Blocks

***Screw Terminal**

- Clear insulating cover with label recess accept small format Blue Sea Systems labels (see pages 90-94)
- Cover satisfies all ABYC/USCG requirements
- Tin-plated copper buses and fuse clips give 30 Amperes rating per circuit
- Accepts ATO and ATC fast acting blade fuses (see page 59)
- A wide variety of circuit identification labels available (see pages 90)
- 20 write-on circuit labels included, excluding 5030, 5031, 5033, and 5034

Specifications

Base Material	Reinforced Polycarbonate
Cover Material	Polycarbonate
ATO/ATC Fuses available	1 to 40 Amperes
Maximum Amperage per circuit	30 Amperes
Maximum Amperage per block	100 Amperes
Maximum Voltage	32 Volts DC

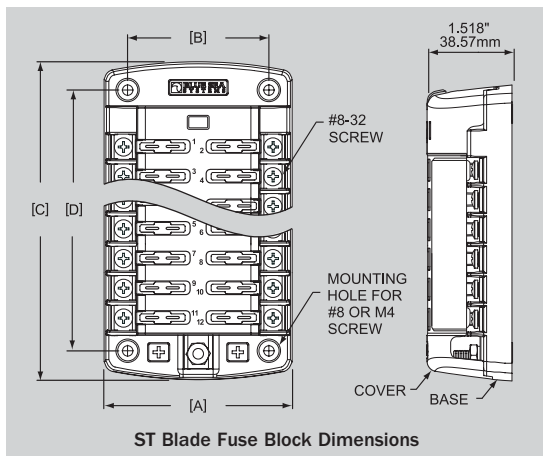
ST Blade Fuse Block With Cover		
PN	Description	Weight Lb (Kg)
5025	6 circuit with negative bus	0.55 (0.25)
5026	12 circuit with negative bus	0.75 (0.34)
5028	6 circuit	0.50 (0.23)
5029	12 circuit	0.68 (0.31)

ST Blade Fuse Block Without Cover		
PN	Description	Weight Lb (Kg)
5030	6 circuit with negative bus	0.47 (0.21)
5031	12 circuit with negative bus	0.65 (0.29)
5033	6 circuit	0.42 (0.19)
5034	12 circuit	0.59 (0.27)

Now accepts all European Blade Type fuses



▶ See page 59 for ATO/ATC Fuses.



PN	[A] Width in" (mm)	[B] Mounting Centers in" (mm)	[C] Height in" (mm)	[D] Mounting Centers in" (mm)
5028/5033	3.315 (84.20)	2.500 (63.50)	3.652 (92.76)	2.639 (67.03)
5025/5030	3.315 (84.20)	2.500 (63.50)	4.894 (124.31)	3.881 (95.58)
5029/5034	3.315 (84.20)	2.500 (63.50)	5.230 (132.84)	4.217 (107.11)
5026/5031	3.315 (84.20)	2.500 (63.50)	6.472 (164.39)	5.459 (138.66)

MAXI™ Fuse Block

- The most economical fuse block for 30-80 Ampere fusing
- Snap-on terminal cover insulates all conductive parts, satisfying ABYC/USCG requirements
- Accepts wire sizes 18-4 AWG from sides or bottom
- For use on systems up to 32 Volts DC
- Ring terminal screws compress fuse blades within blocks for low resistance connections
- Accepts Maxi™ Fuses (see below)

Specifications

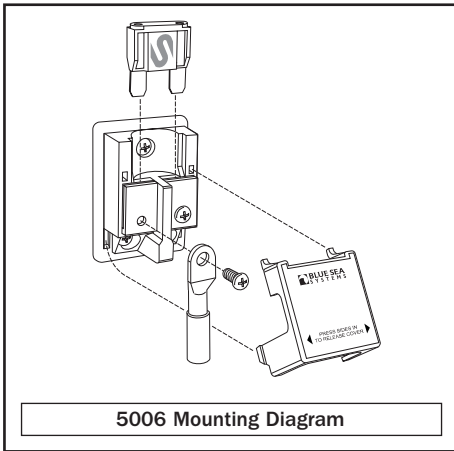
Base Material	Red Reinforced Polycarbonate
MAXI™ Fuses Available	30-80 Amperes
Maximum Amperage	80 Amperes
Maximum Voltage	32 Volts DC
Fuse Mounting Blocks	Tin-plated Brass

PN	Description	Weight Lb (Kg)
5006	30-80A	0.26 (0.12)

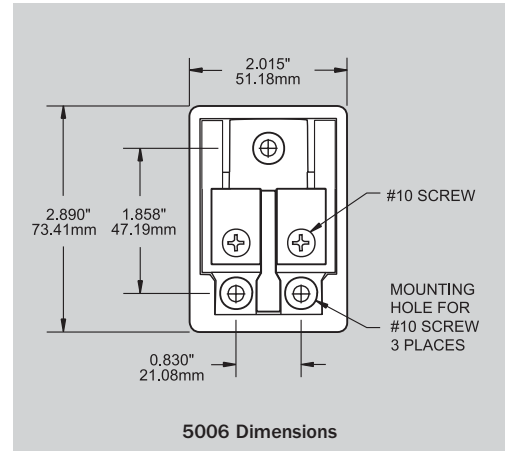
► See below for MAXI™ Fuses.



5006



5006 Mounting Diagram



5006 Dimensions

MAXI™ Fuses

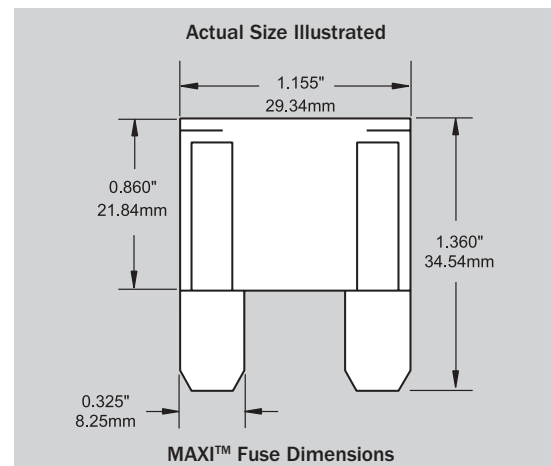
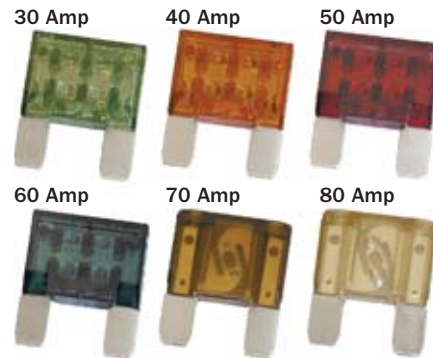
- Economical
- Tin-plated connector blades for corrosion resistance
- Visible indication of blown condition

Specifications

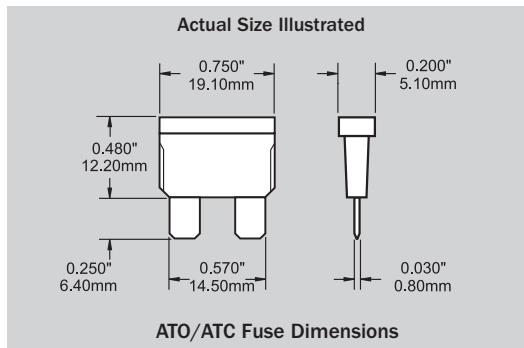
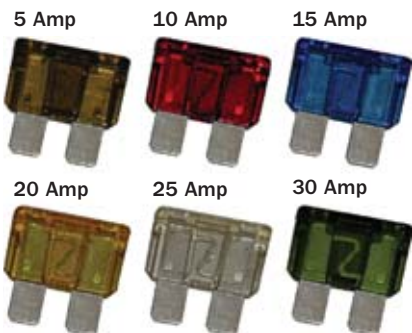
Maximum Voltage	32 Volts DC
Interrupt Capacity	1,000 Amperes DC
Delay	See www.bluesea.com

PN	Amperage	Weight Lb (Kg)
5138	30A	0.04 (0.02)
5139	40A	0.04 (0.02)
5140	50A	0.04 (0.02)
5141	60A	0.04 (0.02)
5142	70A	0.04 (0.02)
5143	80A	0.04 (0.02)

► See above for Blue Sea Systems' MAXI™ Fuse Block.



MAXI™ Fuse Dimensions



ATO/ATC Fuses

- Fast-acting type fuses ideal for electronic devices
- Standard circuit protection device for automobiles and trucks
- Tin-plated connector blades for corrosion resistance
- Visible indication of blown condition
- Sold in packages of 2

Specifications

Maximum Voltage	32 Volts DC
Interrupt Capacity	1,000 Amperes DC
Delay	See www.blueseas.com
Weight per package	0.03Lb (0.01Kg)

PN	Amperage
5235	1A
5236	2A
5237	3A
5238	4A
5239	5A
5240	7.5A
5241	10A
5242	15A
5243	20A
5244	25A
5245	30A
5246	40A

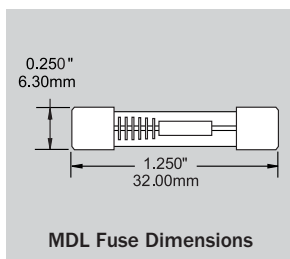
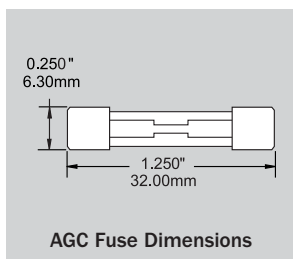
- ▶ See page 57 for Blue Sea Systems ST* Blade Fuse Blocks.
* Screw Terminal
- ▶ See pages 50-51 for Blue Sea Systems WeatherDeck™ Water Resistant Fuse Panel



AGC



MDL



AGC/MDL 3AG Fuses

AGC

- UL listed 248-14/CSA certified
- Fast-acting glass fuses
- Sold in packages of 5

MDL

- UL listed 248-14/CSA certified
- Time-delay glass fuses for high inrush motor type loads
- Sold in packages of 2

Specifications

Maximum Voltage	32 Volts DC
Interrupt Capacity	1,000 Amperes DC
Delay	See www.blueseas.com
AGC - Weight per package	0.04Lb (0.02Kg)
MDL - Weight per package	0.03Lb (0.01Kg)

Automotive Blade Fuses (ATO/ATC) vs. Glass Fuses (AGC/MDL)

ATO/ATC Fuse Advantages:



- Color-coding makes determining amperage quick and easy.
- Body size and configuration makes inserting and extracting easier.
- Visibility of the fuse element makes identifying blown fuses easier.

AGC/MDL Fuse Advantages:



- Available in "fractional" sizes to protect delicate electronic circuits.
- Suitable for applications where both electronic and motor loads are being protected in the same fuse block.
- Less expensive and more widely available throughout the world.

PN AGC	PN MDL	Amperage
5200	-	1/8A
5201	-	1/4A
5202	5221	1/2A
5203	-	3/4A
5204	5222	1A
5205	5223	1.5A
5206	5224	2A
5207	5225	2.5A
5208	5226	3A
5209	-	4A
5210	5227	5A

PN AGC	PN MDL	Amperage
5211	-	6A
-	5228	6.25A
5212	-	7A
5213	5229	7.5A
5214	-	8A
5215	5230	10A
5216	-	12A
5217	5231	15A
5218	5232	20A
5219	5233	25A
5220	5234	30A

- ▶ See page 53 for Blue Sea Systems DC Water Resistant Fuse Panels.
- ▶ See page 56 for Blue Sea Systems ST* Glass Fuse Blocks.
* Screw Terminal